

# Wide Field of View X-ray Tube

## OpenView Series | Technical Datasheet

This X-ray tube delivers a 40-degree wide cone angle, providing a large field of view even at high magnifications. Designed for high-resolution imaging, it is ideal for cabinet X-ray systems and other applications that demand precision and clarity.

An optional industry-leading artifact-free beryllium window is available for enhanced image quality, particularly in low-contrast imaging where background and subject densities are closely matched. This makes the tube an excellent choice for advanced imaging tasks, including soft tissue biopsy applications.

### Benefits

- Continuous operation
- Wide operating range enables optimal image contrast
- Wide field of view
- Optional artifact-free window
- High-resolution imaging
- Made in USA

### Applications

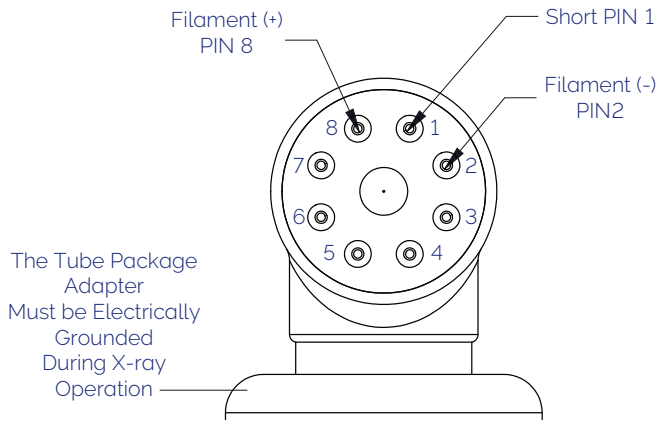
- CT imaging for life sciences
- Phase-contrast imaging
- Pre-clinical imaging
- Small animal imaging
- Specimen radiography



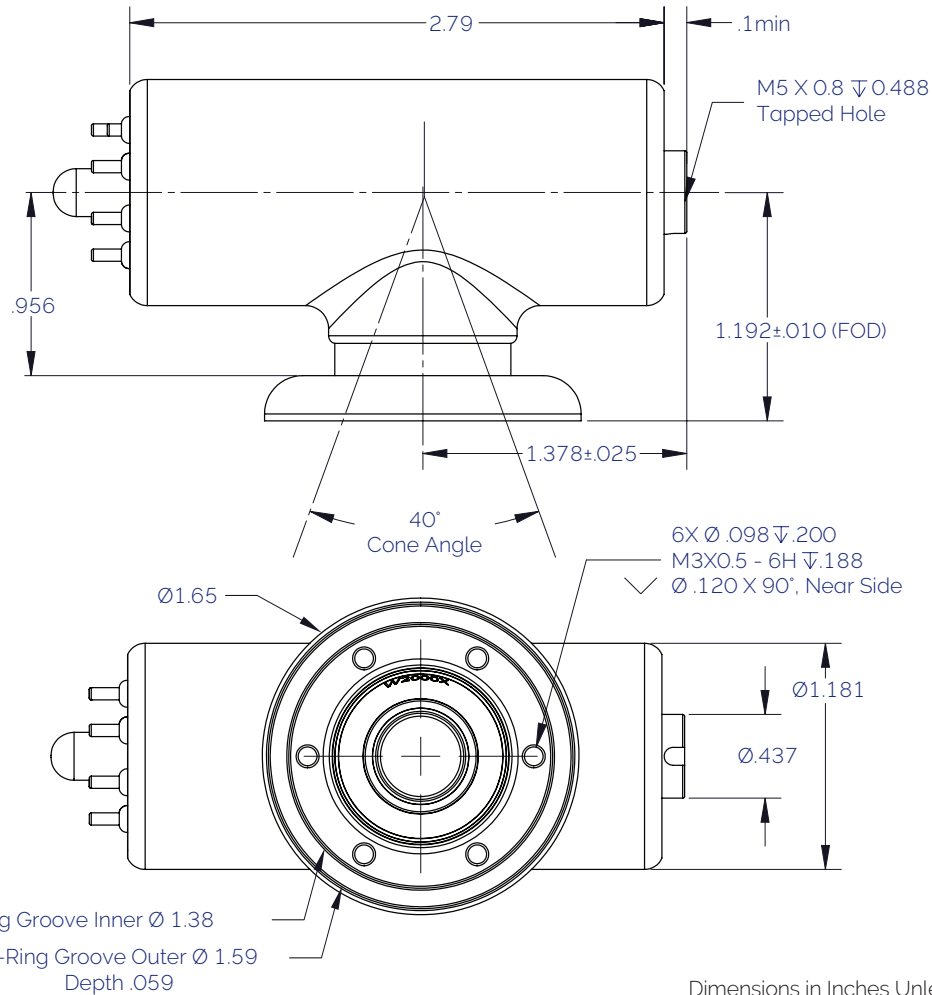
### Specifications:

Operating Voltage Range:	20-50kV
Maximum Power:	50W
Maximum Beam Current:	1.0mA
Maximum Filament Current:	1.70A
Filament Voltage:	2.0V (nominal)
Target Material:	W
Spot Size:	<50 $\mu$ m (X and Y)
Cone of Illumination:	40°
Spot to Window Spacing (FOD):	See drawing
Window Material and Thickness:	Be @ 127 $\mu$ m Optional: Be window measured by OIXT to ensure free from artifacts.
Method of Cooling:	Must not exceed 70°C oil temperature. Customer provides enclosure and cooling.
X-ray Shielding:	Customer must provide enclosure with adequate shielding, enclosure, and cooling.
Dimensions (typ):	3.30"L(max) x 1.78"H
Weight:	119g
Duty Cycle:	Continuous

# OpenView Series | Technical Datasheet



PIN No.	Function
1	Short Pin
2	Filament -
3	No Connection
4	No Connection
5	No Connection
6	No Connection
7	No Connection
8	Filament +



Dimensions in Inches Unless Otherwise Stated

visit <https://xray.oxinst.com> for more information

This publication is the copyright of Oxford Instruments plc and provides outline information only, which (unless agreed by the company in writing) may not be used, applied or reproduced for any purpose or form part of any order or contract or regarded as the representation relating to the products or services concerned. Oxford Instruments' policy is one of continued improvement. The company reserves the right to alter, without notice the specification, design or conditions of supply of any product or service. Oxford Instruments acknowledges all trademarks and registrations.

© Oxford Instruments plc, 2026. All rights reserved. Document reference: Part no: DS9000019RevA- April 2026



Oxford Instruments X-Ray Technology  
360 El Pueblo Road, Suite 104  
Scotts Valley, CA 95066, USA

Phone: +1 (831) 439-9729  
Email: [xray-sales@oxinst.com](mailto:xray-sales@oxinst.com)

